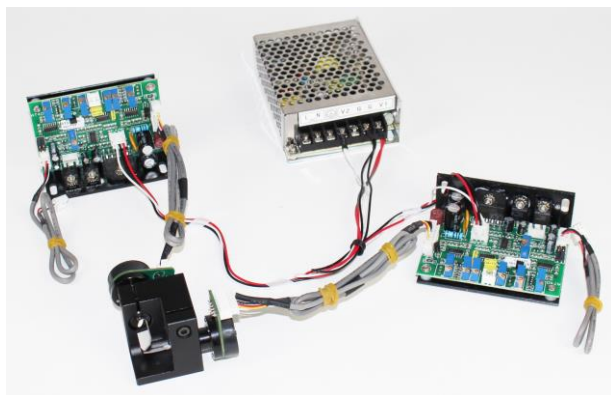


## Galvo Scanner AT-20MD

The galvo scanner series can be configured in X-Y combo mode or be separated for individual operation, two drivers in one PCB board is also available at request. Customization is available.



## Features

- High Speed and Low Drift
- Compact Size
- Accurate Performance
- High Stability and Excellent Reliability

## Applications

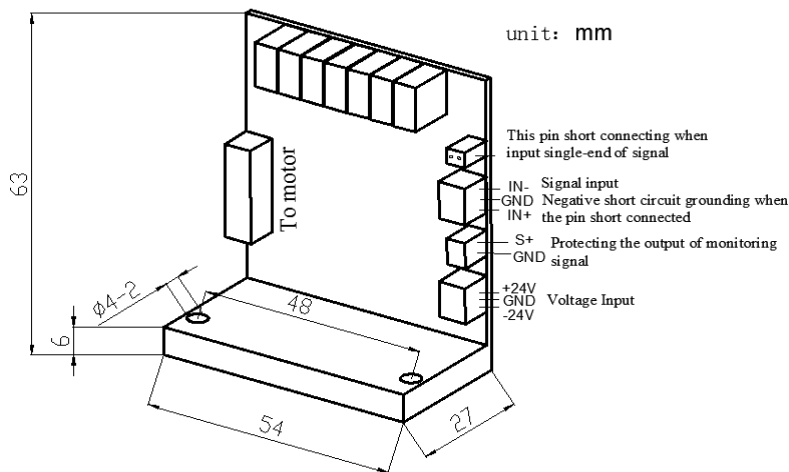
- Laser Marking and Welding
- LIDAR
- OCT
- Optical Instruments

## Specifications

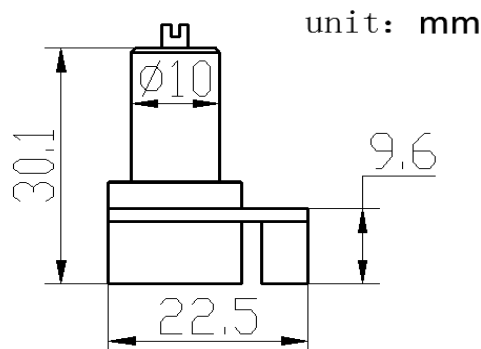
Technical Data	
Mirror size (mm)	7x9 (or customized)
Wavelength options	840nm 1310nm 1550nm etc
Scanner angle	40° (options: 80°)
Scanner speed	30Kpps (30k ILDA test pattern)
Maximum rotor temperature(°C)	130°C
Thermal resistance(°C/watt, maximum)	3.5°C/W
Coil resistance(ohms, ±10%)	2.4
Coil inductance(uh · ±10%)	50
RMS current (A, at case=50°C, maximum)	2.0
Peek current (A)	5
Small angle step response(typical)	0.15ms
Weight (grams, typical)	20
Position Detector :	
Linearity	99.0%
Scale drift	50PPM/°C · maximum
Zero drift	15 urad/°C · maximum
Repeatability, Short-Term	10urad
Position input proportional coefficient	0.5 V/°
Input resistance (differential mode)	200K±1%Ω ( differential )

Analog Series Technical Data:	
Analog Input Impedance	200K±1%Ω ( differential )
Position Input Scale Factor	0.5 volt/mechanical degree (2 degree/volt)
Position Input Range	±10 volt, maximum
Position Output Scale Factor	0.5 volt/ degree
Power Supply Requirements	±24VDC
Operating Temperature Range	0-50°C
Dimensions(Board with heatsink bracket)	5.4cm*6.3cm*2.7cm

**Board size**



**Motor size**



**Ordering Information** Please contact Optowaves sales at [Sales@optowaves.com](mailto:Sales@optowaves.com)