

LT4000 Variable Optical Attenuator

The LT4000 Variable Optical Attenuator (VOA) offers voltage control attenuation over a broad dynamic range. It provides precision resolution, high repeatability, and extremely low insertion loss. Our patented beam director technology eliminates the need for filters or other devices in the optical path resulting in improved performance. It also offers programmed attenuation of selectable dB levels.



Features

- Wide dynamic voltage control attenuation range from 0-30 dB
- Precision attenuation resolution at <0.1 dB
- Low insertion loss of 0.35 dB, typical
- Patented beam director eliminates the need for interference filters
- Bench top or rack mounting (2U 1/2 chassis)
- Monitor port is available upon request

Applications

- Power management
- R&D laboratories
- Manufacturing test systems
- Field test systems

Specifications

Item	Unit	Specifications
Attenuation Range ¹	dB	0 ~ 30
Back Reflection	dB	< -55
Max Optical Power	mW	300
PDL	dB	< 0.1
Residual Attenuation (Min. IL)	dB	0.35 typ. ~ 0.6 max
Tuning Time ²	ms	600
Resolution	dB	< 0.1
Standard Control	--	Local keypad and GPIB interface
Housing Dimensions (H x W x L)	mm	88 x 212.5 x 406 2U 1/2 rack
Wavelength Range ³	nm	1280 ~ 1340, 1520 ~ 1575

All specifications referenced without connectors.

All specifications based on 1550 nm single wavelength.

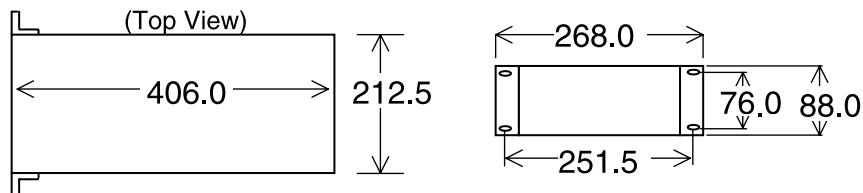
1. Custom attenuation ranges available.

2. From 0 to 30dB.

3. Optimized at 1310 or 1550 nm (other wavelengths available upon request).

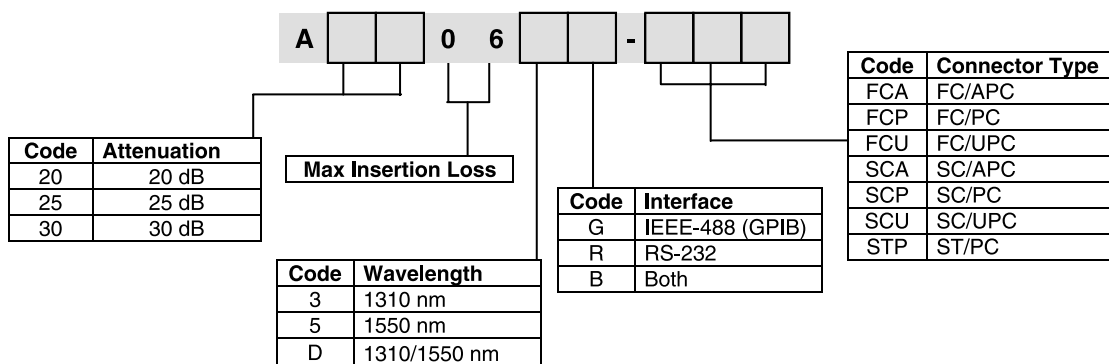
LT4000 Variable Optical Attenuator

Dimensions:



Ordering Information:

Example: A30065G-FCA



The information set forth in this document reflects our best knowledge at the time of issue. The document is subject to changes pursuant to new developments and findings, and a similar reservation applies to the properties of the products described. We undertake no liability for results obtained by usage of our products and information.